

Model	Description
H40-022-91-DC	2xGbE 90W bt PoE + 2xGbE SFP

Model	Description
H40-022-91-DC-A	2xGbE 90W bt PoE + 2xGbE SFP

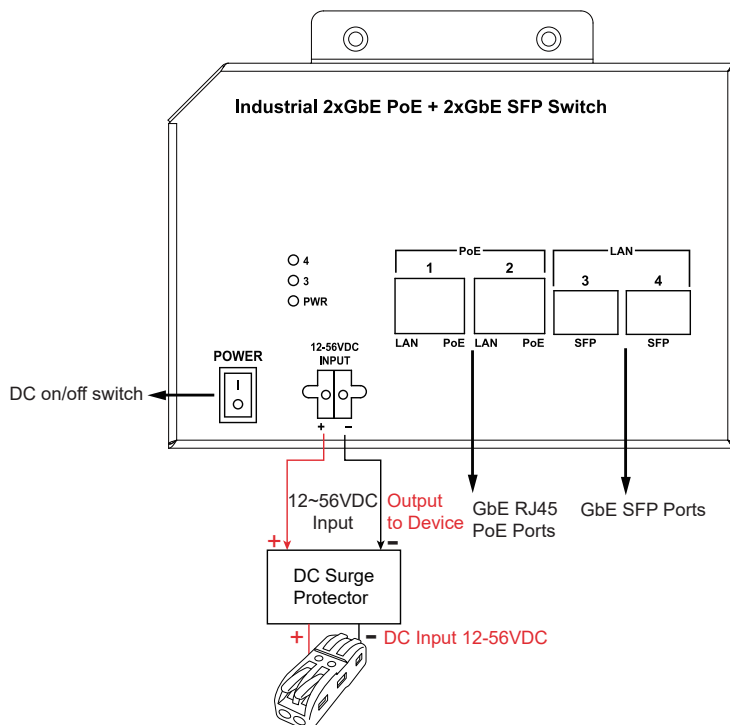
PACKAGE CONTENTS

* 1x PoE switch	* 1x Quick Installation Guide
* 1x T25 L-wrench	

⚠ IMPORTANT:

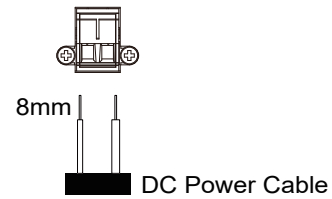
1. Install the PoE switch in a ventilated and dry place that is free of electromagnetic source, vibration, moisture, and dust.
2. Make sure the ventilation openings on the switch are not blocked.
3. Use CAT5 or 5e UTP/STP cables.
4. 12~56VDC input
5. IP67 rated housing
6. Although housing is IP67 rating , this is not suitable for water jets.

CONNECTION

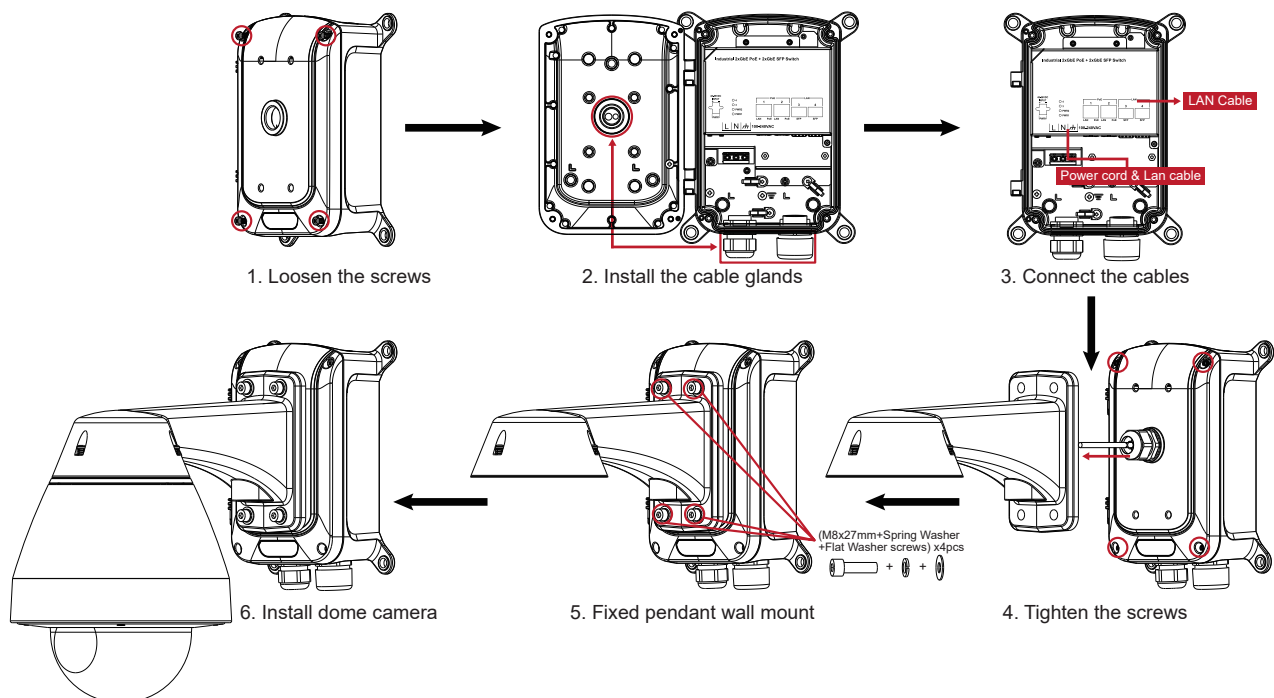


DC Power Cable Spec.

Wire Size	10~18AWG
Wire Strip Length	8mm

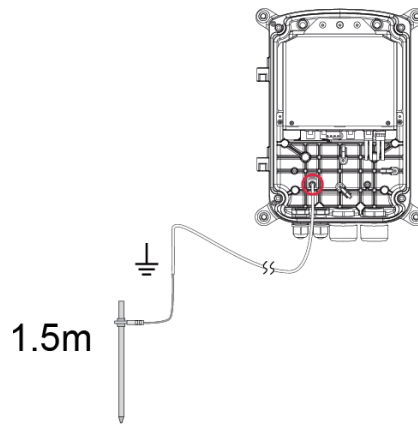


H40-022-91-DC-A only



IMPORTANT:

The cabinet must be grounded using a ground wire between the ground screw and earth ground.



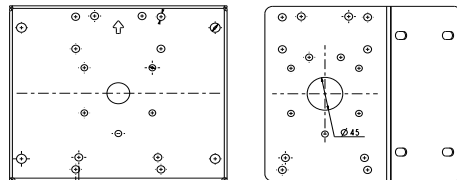
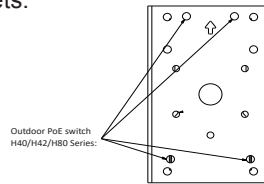
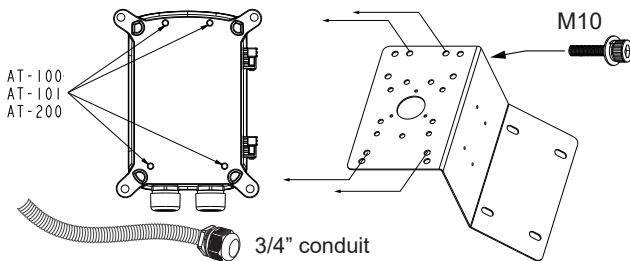
LED DEFINITIONS

Power PW1/PW2	Green ON	Power is on and normal.
SFP port Green	Green ON	Fiber is aeeached.
	Green Flashing	Data is being transmitted / received.
LAN ports Green	Green ON	TX link is detected.
	Green Flashing	Data is being transmitted or received.
PoE ports Amber	Amber ON	PSE is activated and PD is detected.
	Amber OFF	PoE OFF

INSTALLATION

Use the included M10 hex socket screws to secure the power box to a pole-mount or corner mount bracket.

The mounting hole definition is illustrated below. The same mounting hole pattern apply to all pole-mount and corner-mount brackets.



All specifications are subject to change without notice.
Copyright © 2024 AETEK INC. All rights reserved.